

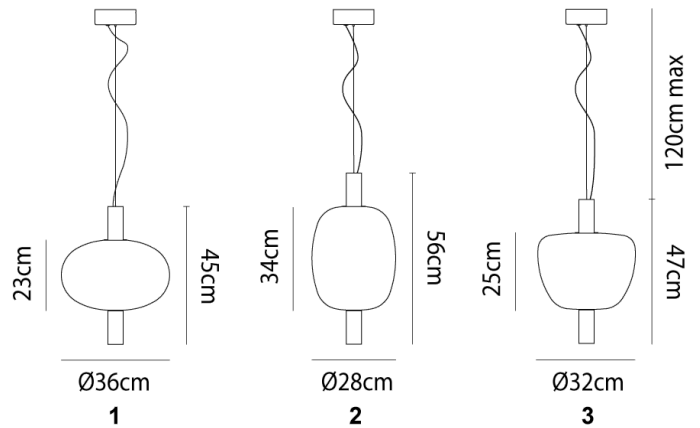
Riflesso Pendant

by Chiaramonte & Marin

Born from the long partnership between Vistosi and Chiaramonte and Marin designers, Riflesso evokes soap bubbles and childhood memories. Made of mouth-blown glass, the LED source refracts and continuously rebounds within the shade, emitting glare free light in a space. Available in three different shapes enriched by crystal, smoke, amber or light amethyst glass with brass or copper base. Riflesso works well in cluster formations or individually. Winner of a 2019 Archiproducts Design Award.



Product Dimensions



Designer	Chiaramonte & Marin
Supplier	Vistosi
Country	Italy
SKU	VI S/RIFLESSO
Warranty	2yr commercial / 3yr residential
Glass Finish Options	Amber, Amethyst, Crystal, Smoke
Metal Finish Options	Brass, Copper
Size Options	1, 2, 3