

ART LT/TOLOMEO/MICRO/RUBY RED

## Tolomeo Table Lamp - Ruby Red Collection

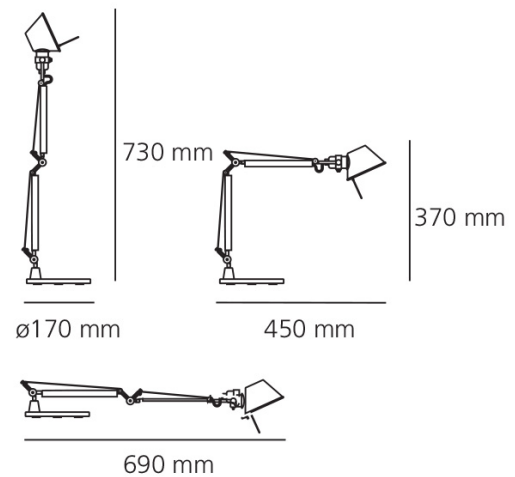
by Michele de Lucchi

Part of a special collaboration between Artemide and Danese Milano, the Tolomeo Micro Ruby Red Collection table lamp presents one of Artemide's most celebrated designs through a bold, contemporary lens. The Ruby Red Collection reinterprets a series of design icons in a limited edition defined by a single, saturated hue: a deep, glossy red with the richness of bordeaux that intensifies each object's relationship with its surroundings. Designed by Michele De Lucchi and Giancarlo Fassina and originally launched in 1987, the Tolomeo Micro combines minimalist lines with exceptional functionality. Its lightweight aluminium construction features a fully adjustable arm and head for precise light direction, a design that earned the prestigious Compasso d'Oro in 1989. In Ruby Red, the technical geometries of the Tolomeo Micro emerge with greater clarity, its mechanical balance made more legible through the depth of the glossy finish. The Tolomeo Micro Ruby Red Collection LED table lamp is made in Italy by Artemide.



<b>Designer</b>	Michele de Lucchi
<b>Supplier</b>	Artemide
<b>Country</b>	Italy
<b>SKU</b>	ART LT/TOLOMEO/MICRO/RUBY RED
<b>Finish</b>	Ruby Red

### Product Dimensions



<b>Weight</b>	2.7kg	<b>Materials</b>	Aluminium, steel	<b>Source</b>	1 x E14 LED (6W Max)
<b>IP Rating</b>	IP20				