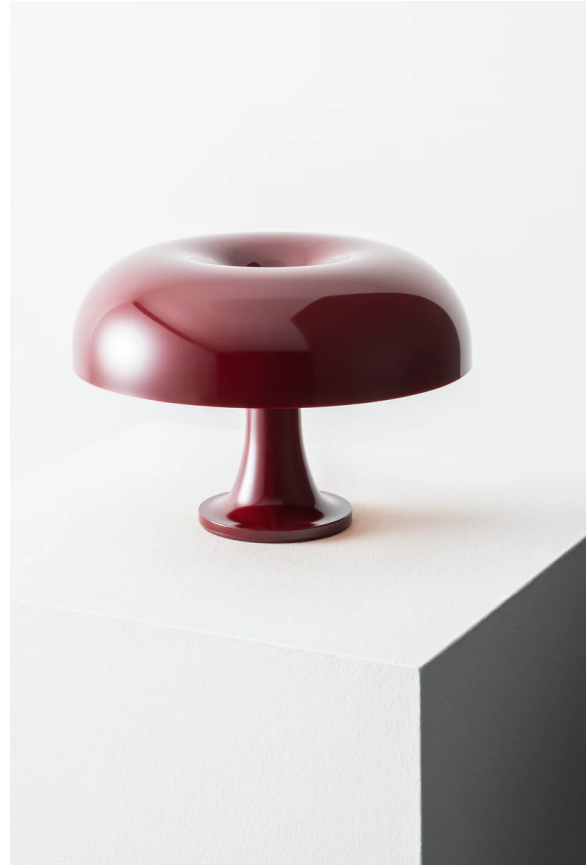


ART LT/NESSINO/RUBY RED

Nessino Table Lamp - Ruby Red Collection

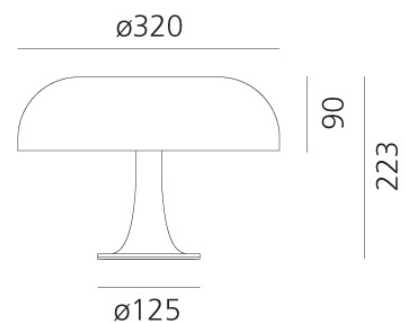
by Giancarlo Mattioli

Part of a special collaboration between Artemide and Danese Milano, the Nessino Ruby Red Collection table lamp reimagines a 1960s Italian design icon through a bold, contemporary lens. The Ruby Red Collection reinterprets a series of design icons in a limited edition defined by a single, saturated hue: a deep, glossy red with the richness of bordeaux that intensifies each object's relationship with its surroundings. Designed by Giancarlo Mattioli and Gruppo Architetti Urbanisti Citta Nuova, the Nessino's organic, mushroom-inspired form in moulded ABS plastic was a landmark in blending nature with industrial technology. In Ruby Red, the Nessino's sculptural curves find a new depth, with reflected and diffused light amplifying the material presence of the form. Part of Artemide's Modern Classics collection, this table lamp suits residential, commercial, and hospitality interiors. The Nessino Ruby Red Collection table lamp is made in Italy by Artemide.



Designer	Giancarlo Mattioli
Supplier	Artemide
Country	Italy
SKU	ART LT/NESSINO/RUBY RED
Finish	Ruby Red

Product Dimensions



Weight	0.6kg	Materials	Polycarbonate	Source	4 x E14 LED (6W Max)
Emission	Indirect	IP Rating	IP20	Dimming	Non-Dimmable