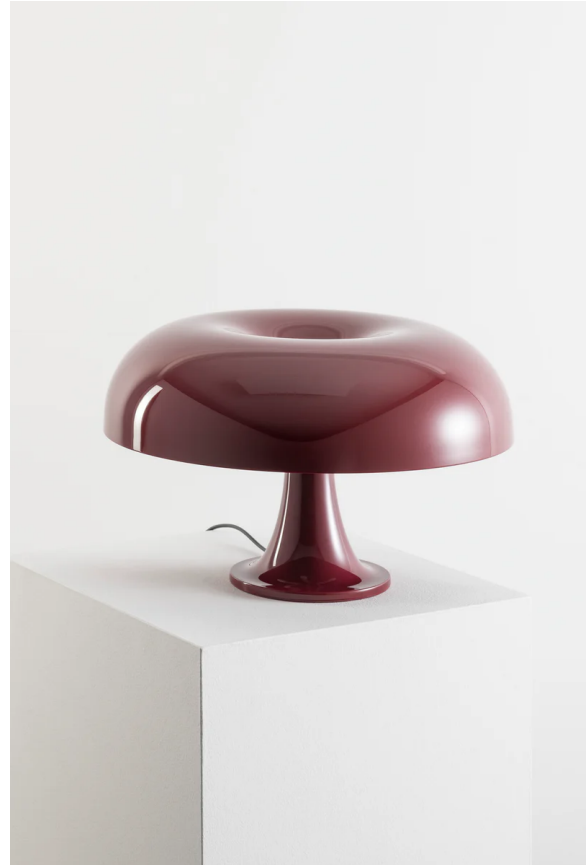


ART LT/NESSO/RUBY RED

Nesso Table Lamp - Ruby Red Collection

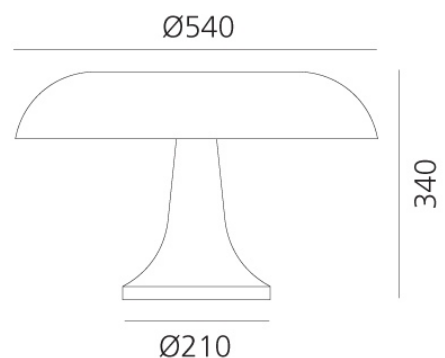
by Giancarlo Mattioli

Part of a special collaboration between Artemide and Danese Milano, the Nesso Ruby Red Collection table lamp reimagines a 1960s Italian design icon through a bold, contemporary lens. The Ruby Red Collection reinterprets a series of design icons in a limited edition defined by a single, saturated hue: a deep, glossy red with the richness of bordeaux that intensifies each object's relationship with its surroundings. Designed by Giancarlo Mattioli and Gruppo Architetti Urbanisti Citta Nuova, the Nesso was first released in 1967 as a pioneering use of ABS thermoplastic injection moulding in lighting design. Its mushroom-inspired form conceals and diffuses the light source, delivering ambient illumination suitable for offices, lobbies, and residential settings. In Ruby Red, the Nesso's sculptural curves find a new depth, with the glossy surface amplifying the interplay between reflected and diffused light. Featured in the permanent collections of The Metropolitan Museum of Art and MoMA. The Nesso Ruby Red Collection table lamp is made in Italy by Artemide.



Designer	Giancarlo Mattioli
Supplier	Artemide
Country	Italy
SKU	ART LT/NESSO/RUBY RED
Finish	Ruby Red

Product Dimensions



Weight	2.3kg	Materials	ABS thermoplastic	Source	4 x E14 LED (6W Max)
Emission	Indirect	IP Rating	IP20	Dimming	Non-Dimmable