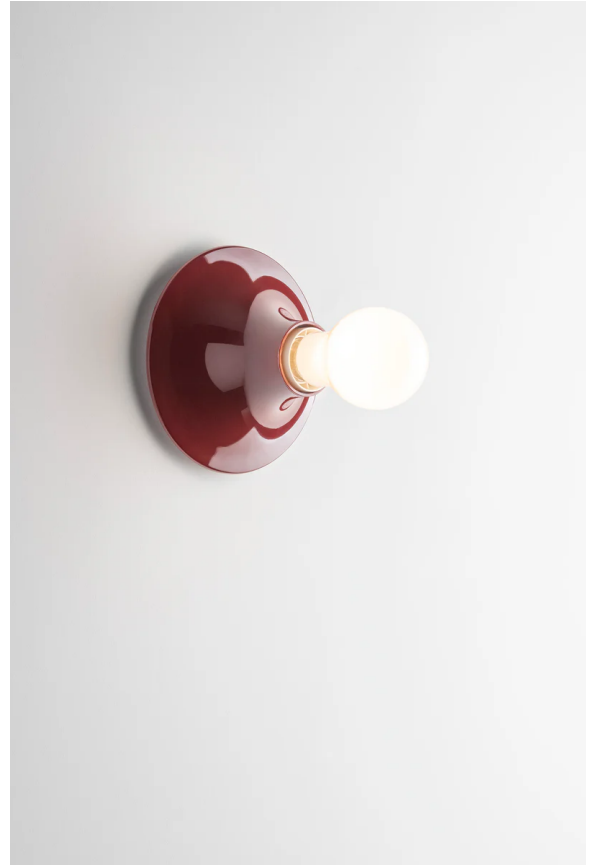


ART PL/TETI/RUBY RED

Teti Ceiling / Wall Lamp - Ruby Red Collection

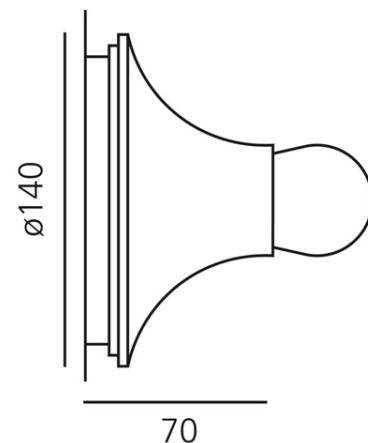
by Vico Magistretti

Part of a special collaboration between Artemide and Danese Milano, the Teti Ruby Red Collection ceiling wall lamp presents a timeless Artemide design through a bold, contemporary lens. The Ruby Red Collection reinterprets a series of design icons in a limited edition defined by a single, saturated hue: a deep, glossy red with the richness of bordeaux that intensifies each object's relationship with its surroundings. A fixture in the Artemide catalogue since 1967, Teti's iconic conical silhouette, reminiscent of a chess piece, features a thermoplastic body that emits soft, diffused light from either ceiling or wall. In Ruby Red, the Teti's essential simplicity takes on a new visual strength; its clean lines and balanced glow, normally designed to recede, instead become a focal point within the space. The Teti Ruby Red Collection ceiling wall lamp is made in Italy by Artemide.



Designer	Vico Magistretti
Supplier	Artemide
Country	Italy
SKU	ART PL/TETI/RUBY RED
Finish	Ruby Red

Product Dimensions



Materials	Thermoplastic resin	Source	1 x E27 LED (12W Max)	Emission	Direct
IP Rating	IP20	Dimming	Dependent on globe		