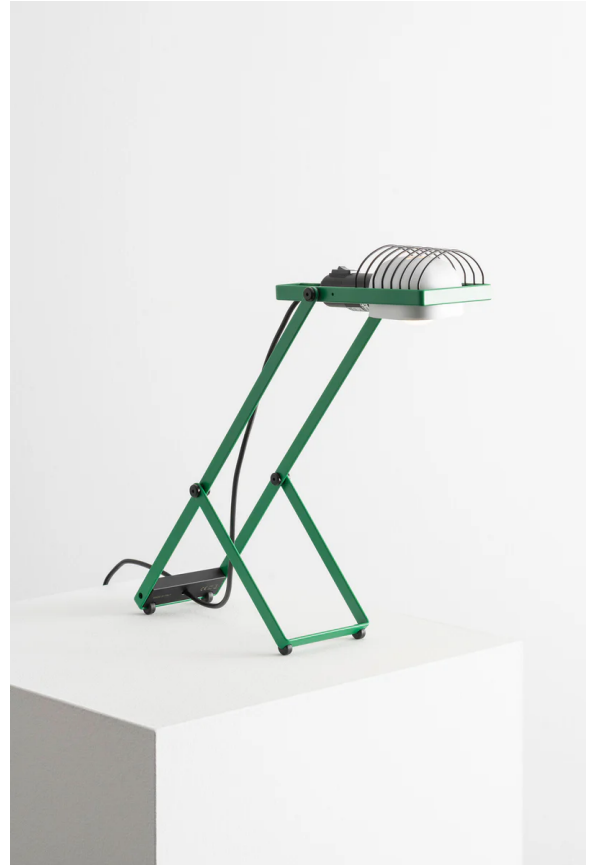


ART 0030030A

Sintesi Table Lamp

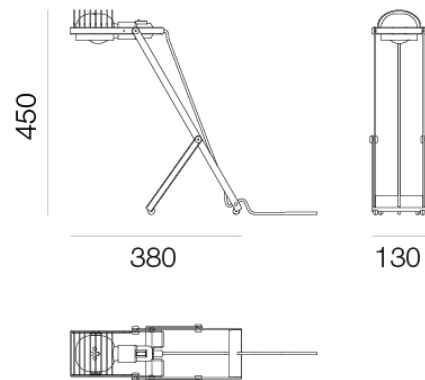
by Ernesto Gismondi

Introduced in 1975, the Sintesi Table Lamp holds a unique place in Artemide's history as the first lamp signed by the company's founder, Ernesto Gismondi. Conceived as an intelligent system, Sintesi is built around a minimal set of shared metal components — two C-shaped profiles of differing lengths form a Y-shaped support that allows the lamp to tilt through a simple opening and closing motion. The result is a highly adjustable form that feels both purposeful and unassuming. An E27 socket ensures long-term adaptability, while a reflector and protective grid complete the functional frame. Sintesi folds compactly for packaging, a detail that speaks to Gismondi's characteristic blend of technical precision and production efficiency. Now reissued, the Sintesi Table Lamp remains as considered today as it was at its introduction. Made in Italy by Artemide.



Designer	Ernesto Gismondi
Supplier	Artemide
Country	Italy
SKU	ART 0030030A
Finish	Green

Product Dimensions



Materials	Metal	Source	1 x E27 11W (Max)	IP Rating	IP20
Notes	For optimal light performance, it is recommended to use a lamp with a clear glass bulb.				