

SLD S/CORDIALE/WHITE

Cordiale Pendant

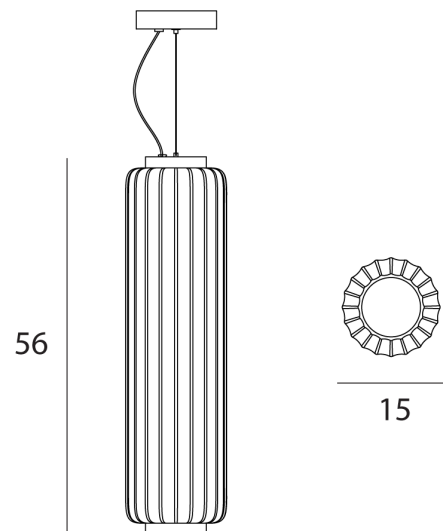
by Slide Studio

The Cordiale Pendant balances function technology and aesthetics. The white polyethylene shade is embellished by satin brass metalware in tribute to Art Deco, while an LED source provides gentle diffused illumination. Designed by Roberto Paoli. Made in Italy.



Designer	Slide Studio
Supplier	Slide
Country	Italy
SKU	SLD S/CORDIALE/WHITE
Finish	White

Product Dimensions



Weight	2kg
Colour Temp	3000K

Materials	Polyethylene, brass
IP Rating	IP20

Source	12w
Dimming	Non-Dimmable