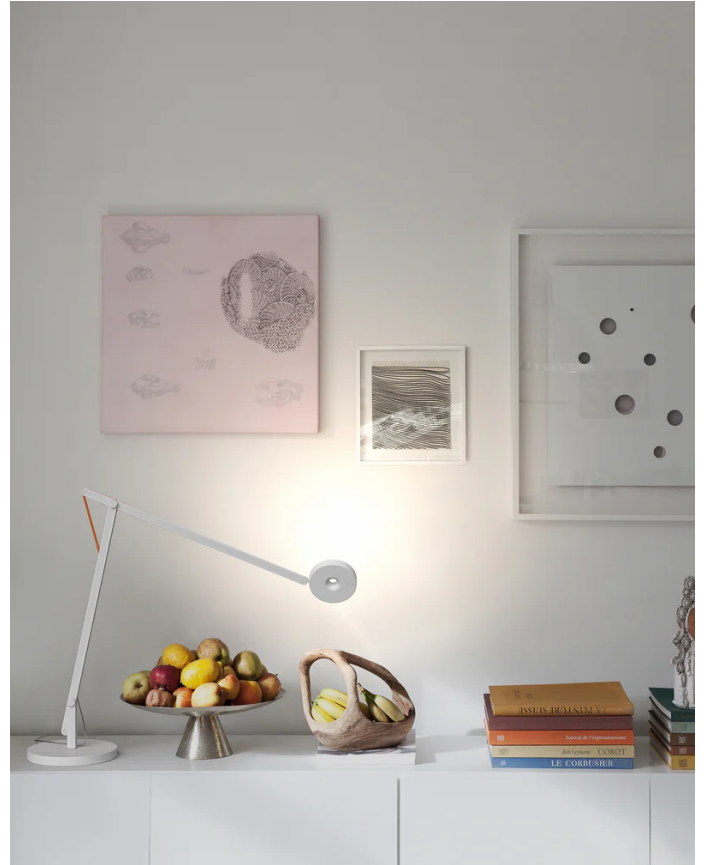


RO LT/STRING/T1/TW/BRONZE/ORANGE

String T1 Table Lamp (TW)

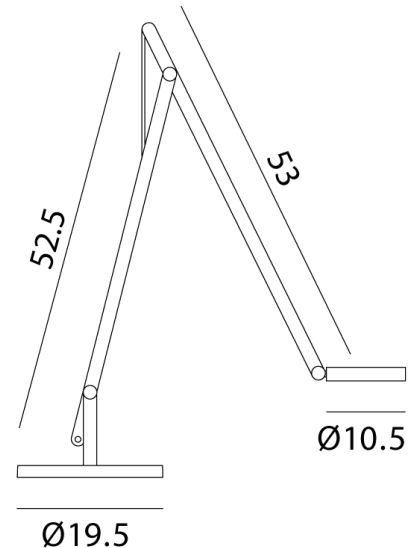
by Dante Donegani and Giovanni Lauda

The String T1 Table Lamp by Rotaliana realises modern design in a highly functional form. The adjustable head, made of moulded plastic, is easy to handle thanks to its ring shape. Two adjustable arms in extruded aluminium are balanced by an elastic cable, sheathed in synthetic-coloured fabric, and by an aluminium and cast-iron ballast base. A touch-sensitive tuneable-white switch within the lamp's head adjusts the LED light's luminosity and colour temperature (2500K to 4000K). Available in various contemporary finishes with three cable colour options. Made in Italy.



Designer	Dante Donegani and Giovanni Lauda
Supplier	Rotaliana
Country	Italy
SKU	RO LT/STRING/T1/TW/BRONZE/ORANGE
Finish	Bronze
Cable Colour	Orange

Product Dimensions



Materials	Aluminium, moulded plastic	Source	9w 24v LED	Colour Temp	2700-4000K
Output	700lm	CRI	90	IP Rating	IP20
Dimming	Push button tuneable white/dimmer				