

ART A/IXA/ARM/WHITE/GREY

Ixa Arm Wall Light

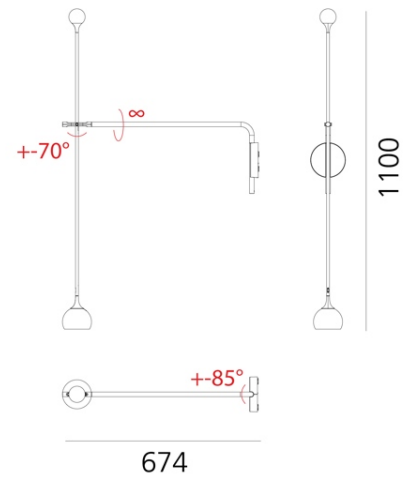
by Foster + Partners

Inspired by the graceful movement of Alexander Calder's sculptures, the Ixa Arm Wall Light brings balance, flexibility, and refined simplicity into everyday spaces. Designed by Artemide in collaboration with Foster + Partners, Ixa features an adjustable arm and spherical head attached via magnetic contact, allowing you to shape the light to suit your needs. Available in hardwired or wall plug options, it offers versatile installation for a range of interiors. Crafted from sustainable materials and finished in expressive colours-yellow, blue, anthracite, white, and red-Ixa is both sculptural and functional. Made in Italy.



| | |
|-----------------|--------------------------|
| Designer | Foster + Partners |
| Supplier | Artemide |
| Country | Italy |
| SKU | ART A/IXA/ARM/WHITE/GREY |
| Finish | White/Grey |
| Version | Hardwired |

Product Dimensions



| | | | | | |
|------------------|--------------------------------|---------------|--------|--------------------|-------------------|
| Materials | Aluminum, steel, technopolymer | Source | 9W LED | Colour Temp | 3000K |
| Output | 465lm | CRI | 90 | Emission | Direct adjustable |
| IP Rating | IP20 | | | | |