

ART LT/NESSO/WHITE

Nesso Table Lamp

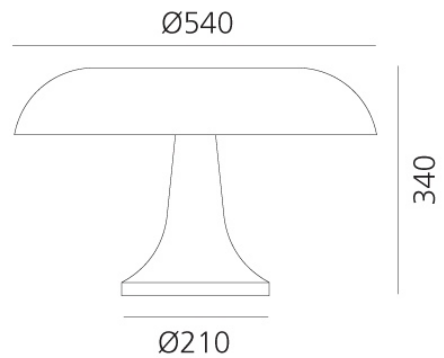
by Giancarlo Mattioli

Designed in the 1960s by Giancarlo Mattioli and Gruppo Architetti Urbanisti Citta Nuova, the Nesso Table Lamp captures the spirit of a decade that embraced new materials and redefined the domestic landscape. First released in 1967, Nesso was a pioneering use of ABS thermoplastic injection molding in lighting design. Inspired by the mushroom, its form conceals and diffuses the light source, delivering ambient illumination suitable for offices, lobbies, and residential settings. Nesso is featured in the permanent collections of The Metropolitan Museum of Art and MoMA. Available in orange and white.



Designer	Giancarlo Mattioli
Supplier	Artemide
Country	Italy
SKU	ART LT/NESSO/WHITE
Finish	White

Product Dimensions



Weight	2.3kg	Materials	ABS thermoplastic	Source	4 x E14 LED (6W Max)
Emission	Indirect	IP Rating	IP20	Dimming	Non-Dimmable