

RO LT/CAPRI/T2/BK

Capri Table Lamp

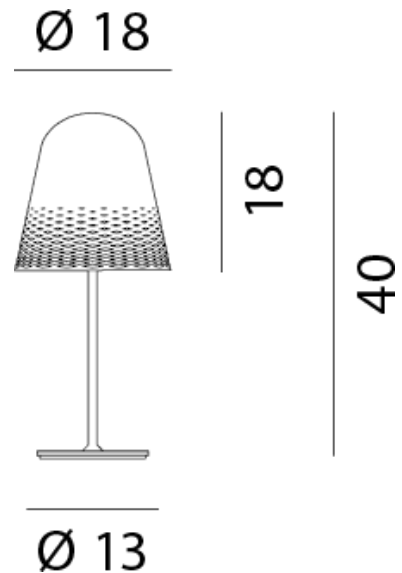
by Dante Donegani and Giovanni Lauda

The design of the Capri Table Lamp is a synthesis between modern design and imagination, utilising the organic shape and texture created through the 3D laser cuts, which help diffuse the direct light emitted. Available in gloss black, gloss white, or satin bronze finish in two size options.



Designer	Dante Donegani and Giovanni Lauda
Supplier	Rotaliana
Country	Italy
SKU	RO LT/CAPRI/T2/BK
Size	Small (T2)
Finish	Black Gloss

Product Dimensions

**Weight** 2.44kg**Materials** Aluminium**Source** 2 x E14 42W