

MAS LUPPITER /001

Luppiter Collection

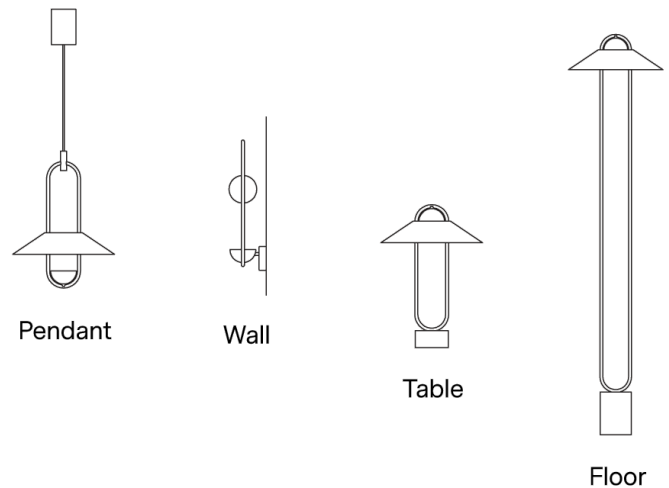
by Marco Zito

Designed by Marco Zito, Luppiter is a modular synthesis of geometric elements, materials and finishes. Composed of a metal frame and shade with sphere in metal or alabaster. Elements finished in painted matt black and brushed gold. LED source. Luppiter is available in pendant, wall, table and floor lamp options.



| | |
|-----------------|-------------------|
| Designer | Marco Zito |
| Supplier | Masiero |
| Country | Italy |
| SKU | MAS LUPPITER /001 |
| Finish | Matt Black |

Product Dimensions



| | | | | | |
|------------------|--|------------------|------|--------------------|-------|
| Materials | Metal shade and frame, Alabaster sphere | Source | LED | Colour Temp | 3000K |
| CRI | >90 | IP Rating | IP20 | | |