

VI S/MODULOR/G/E27/WHITE

## Modulor Pendant

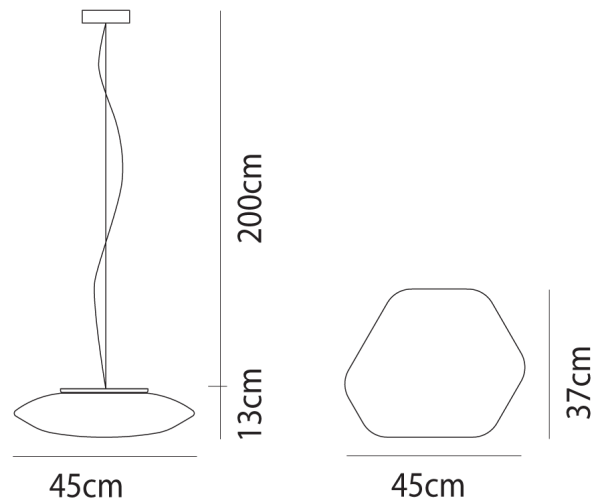
by Pio and Tito Toso

The Modulor collection, designed by architects Pio and Tito Toso, offers a modular lighting solution made from blown glass that is perfect for both large and small spaces. Its unique hexagonal shape can be mounted individually or combined with other elements to create custom compositions, either on walls or suspended. The thin glass, crafted by Vetzeria Vistosi's master glassblowers, gives Modulor a modern yet versatile aesthetic suitable for classic environments. With integrated LED technology, the lamps provide uniform, diffuse, and glare-free lighting.



<b>Designer</b>	Pio and Tito Toso
<b>Supplier</b>	Vistosi
<b>Country</b>	Italy
<b>SKU</b>	VI S/MODULOR/G/E27/WHITE
<b>Size</b>	Large
<b>Version</b>	E27

### Product Dimensions



<b>Materials</b>	Blown Glass	<b>Source</b>	2 x E27 77W (Max)	<b>IP Rating</b>	IP20
<b>Dimming</b>	Dependent on globe				