

RO A/STRING/W2/TW/SILVER/ORANGE

## String W2 Wall Light (TW)

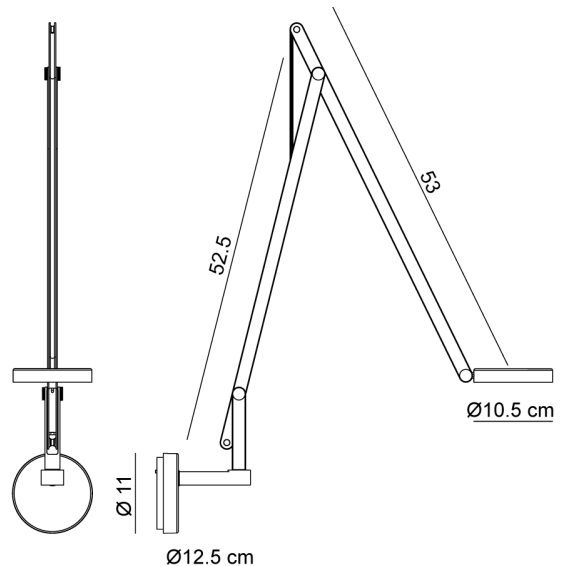
by Dante Donegani and Giovanni Lauda

The String W2 Wall Light by Rotaliana realises modern design in a highly functional form. The adjustable head, made of moulded plastic, is easy to handle thanks to its ring shape. Two adjustable arms in extruded aluminium are balanced by an elastic cable, sheathed in synthetic-coloured fabric. A touch-sensitive tuneable-white switch within the lamp's head adjusts the LED light's luminosity and colour temperature (2500K to 4000K). Available in various contemporary finishes with three cable colour options. Made in Italy.



<b>Designer</b>	Dante Donegani and Giovanni Lauda
<b>Supplier</b>	Rotaliana
<b>Country</b>	Italy
<b>SKU</b>	RO A/STRING/W2/TW/SILVER/ORANGE
<b>Finish</b>	Silver
<b>Cable Colour</b>	Orange

Product Dimensions



<b>Materials</b>	Aluminium, moulded plastic	<b>Source</b>	9w 24v LED	<b>Colour Temp</b>	2700-4000K
<b>Output</b>	700lm	<b>CRI</b>	90	<b>IP Rating</b>	IP20
<b>Dimming</b>	Push button tuneable white/dimmer	<b>Notes</b>	Hard wired		