

AX A/PARALELA/1/WHITE

Paralela 1 Wall Light

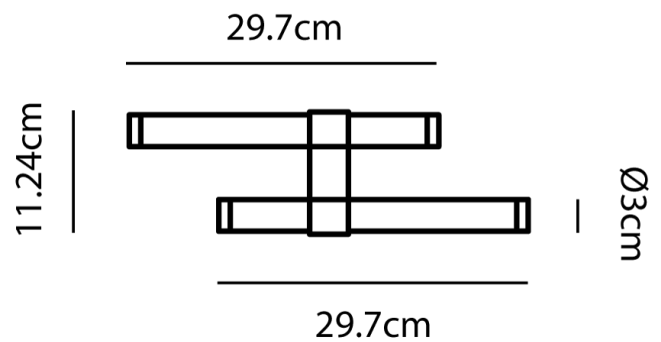
by Nahtrang Studio

Paralela is a modular lighting system created by Nahtrang Studio from Spain. The aim was to turn light into a tangible decorative element. This led to the design of borosilicate glass cylinders connected by Nylon PA12 connectors. These cylinders use gravity to stay in place and create a neat arrangement that interacts visually with light, forming a beautiful display. This version of the Paralela combines two LED elements and a connector to create a single wall light. Available in white or grey finish.



Designer	Nahtrang Studio
Supplier	Axo Light
Country	Italy
SKU	AX A/PARALELA/1/WHITE
Finish	White

Product Dimensions



Materials	Borosilicate Glass tube, 3D Printed Nylon (PA12) connection point	Source	2 x 4W LED	Colour Temp	3000K
Output	2 x 315lm	CRI	>90	IP Rating	IP20
Dimming	Dependent on driver	Notes	24v driver required (not supplied), must be installed remotely.		