

DT FLAX 1100/BLACK/BLACK

Flax Pendant

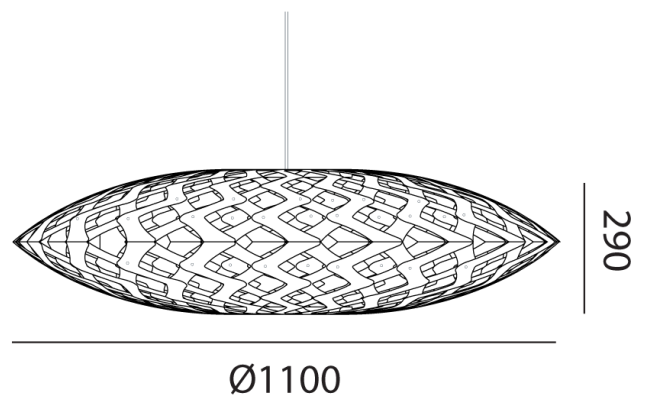
by David Trubridge

The Flax Pendant is based on the long slender leaves of the indigenous New Zealand flax plant or harakeke in Maori that has long been grown for its valuable fibre. The Flax Pendant is made of Plywood and can come in a bamboo finish or stained in a variety of colours. The Flax comes in kitset to reduce the impact of freight on the environment.



Designer	David Trubridge
Supplier	David Trubridge
Country	New Zealand
SKU	DT FLAX 1100/BLACK/BLACK
Finish	Black 2 Sides
Size	1100

Product Dimensions



Materials	Bamboo Plywood, Nylon Clips	Source	1 x E27 60W (Max)	Dimming	Dependent on globe
Notes	Flat packed to reduce environmental footprint				