

RO S/COLLIDE/H6/3K/PHASE/SILVER

Collide Pendant

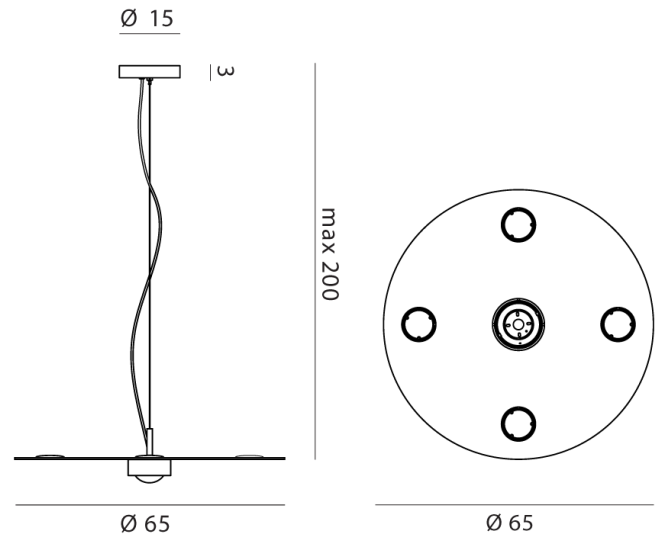
by Paolo Dell'Elce

The Collide Pendant emits light via an LED module housed within the central disc. Made entirely of aluminium, Collide features a minimalist design ideal for contemporary aesthetics. Available in standard white or in natural, satin, or metal finishes.



Designer	Paolo Dell'Elce
Supplier	Rotaliana
Country	Italy
SKU	RO S/COLLIDE/H6/3K/PHASE/SILVER
Finish	Silver

Product Dimensions



Materials	Aluminium
Output	6000lm up + 1300lm down
IP Rating	IP20

Source	80W LED
CRI	90
Dimming	PHASE

Colour Temp	3000K
Emission	Indirect
Notes	200cm max drop