

VI S/MODULOR/M/3000K/WHITE

Modulor Pendant

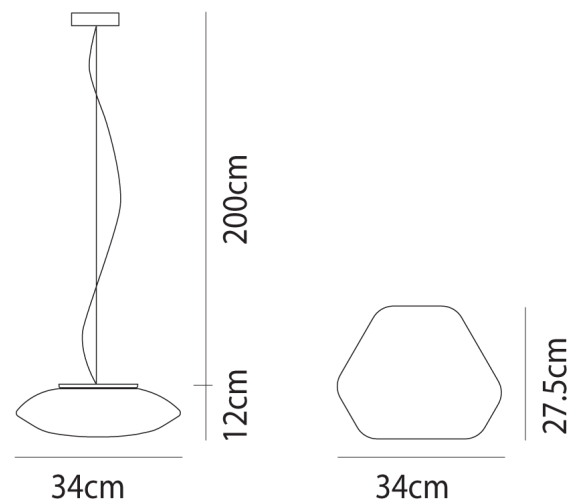
by Pio and Tito Toso

The Modulor collection, designed by architects Pio and Tito Toso, offers a modular lighting solution made from blown glass that is perfect for both large and small spaces. Its unique hexagonal shape can be mounted individually or combined with other elements to create custom compositions, either on walls or suspended. The thin glass, crafted by Vetzeria Vistosi's master glassblowers, gives Modulor a modern yet versatile aesthetic suitable for classic environments. With integrated LED technology, the lamps provide uniform, diffuse, and glare-free lighting.



Designer	Pio and Tito Toso
Supplier	Vistosi
Country	Italy
SKU	VI S/MODULOR/M/3000K/WHITE
Size	Medium
Version	LED

Product Dimensions



Materials	Blown Glass	Source	12W LED	Colour Temp	3000K
Output	1700lm	IP Rating	IP20	Dimming	PHASE CUT