

AX S/LAYERS/C/WHITE

Layers Acoustic Pendant

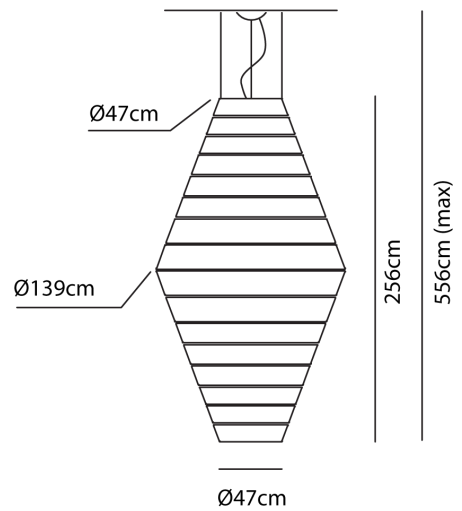
by Timo Ripatti

The Layers collection of suspension lamps combines geometric shapes to create a bold, sculptural presence. Its modular, layered design allows for customisable forms, providing versatile installation options. Despite its substantial volume, Layers remains lightweight, making it ideal for larger areas. The fabric texture and structure have been tested to reduce noise by up to 47%. With an Equivalent Absorption Area of up to 5.78, Layers offers exceptional sound-absorbing performance. Various sizes available in warm white or white finish. Collaborative design by Timo Ripatti, Manuel and Vanessa Vivian.



Designer	Timo Ripatti
Supplier	Axo Light
Country	Italy
SKU	AX S/LAYERS/C/WHITE
Size	C
Finish	White

Product Dimensions



Materials	Smooth ponge fabric	Source	15 x E27 70W (Max)	IP Rating	IP20
Dimming	Dependent on globe	Notes	Flame retardant version available on request		