

RO S/COLLIDE/H6/3K/PHASE/GOLD DELABRE

Collide Pendant

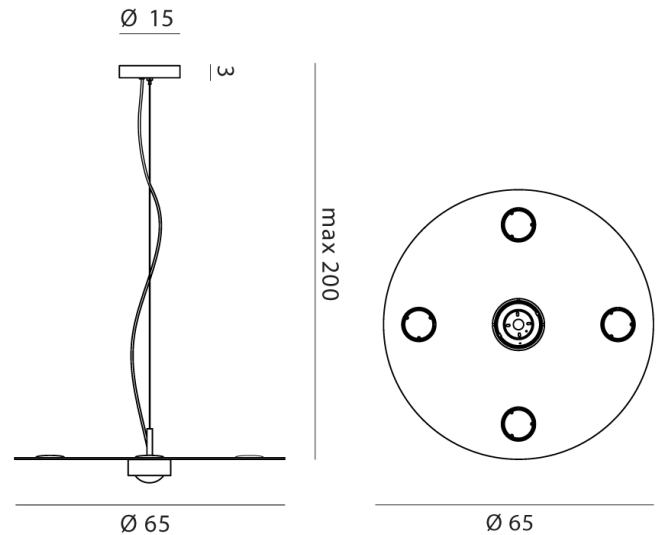
by Paolo Dell'Elce

The Collide Pendant emits light via an LED module housed within the central disc. Made entirely of aluminium, Collide features a minimalist design ideal for contemporary aesthetics. Available in standard white or in natural, satin, or metal finishes.



Designer	Paolo Dell'Elce
Supplier	Rotaliana
Country	Italy
SKU	RO S/COLLIDE/H6/3K/PHASE/GOLD DELABRE
Finish	Gold Delabre

Product Dimensions



Materials	Aluminium	Source	80W LED	Colour Temp	3000K
Output	6000lm up + 1300lm down	CRI	90	Emission	Indirect
IP Rating	IP20	Dimming	PHASE	Notes	200cm max drop