

RO A/COLLIDE/H1/3K/PHASE/GRAPHITE

Collide Wall Light

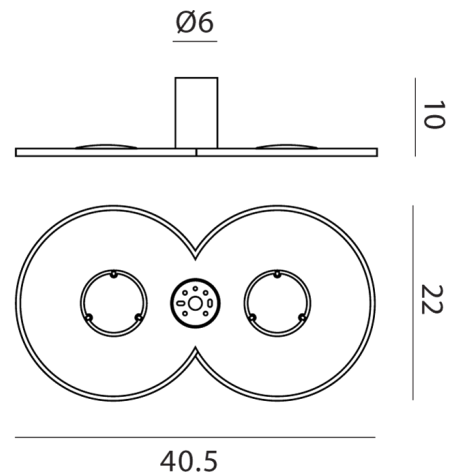
by Paolo Dell'Elce

Made entirely of aluminium, Collide Wall Light emits indirect light via an LED module housed behind a central disc. Collide is mountable on wall or ceiling and features a minimalist design ideal for contemporary aesthetics. Available in a variety of sizes in standard white or in natural, satin, or metal finishes.



Designer	Paolo Dell'Elce
Supplier	Rotaliana
Country	Italy
SKU	RO A/COLLIDE/H1/3K/PHASE/GRAPHITE
Size	H1
Finish	Graphite

Product Dimensions



Weight	2.7kg	Materials	Aluminium	Source	32W LED
Colour Temp	3000K	Output	3000lm	CRI	90
Emission	Indirect	IP Rating	IP20	Dimming	PHASE