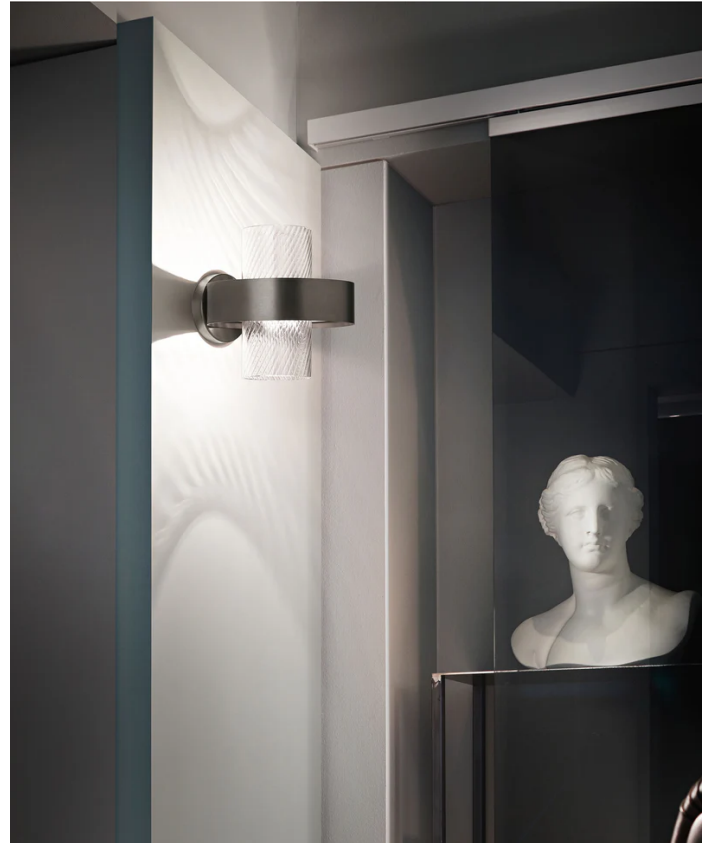


VI A/ARMONIA/25/BLACK-COPPER/CRYSTAL

Armonia Ring Wall Light

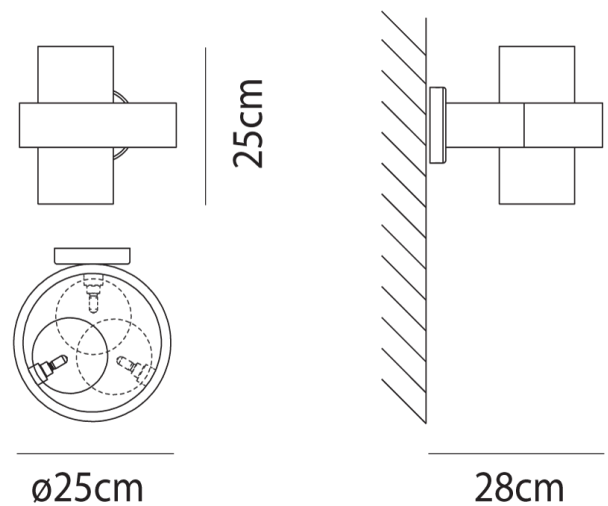
by Francesco Lucchese

Designed by Francesco Lucchese, the Armonia collection is inspired by history, blending functionality and emotion. Armonia combines modern design with classic glass working techniques like "balloton" and straight or twisted "rigadin." Available in a range of colors and textures, Armonia creates a warm, enveloping light.



Designer	Francesco Lucchese
Supplier	Vistosi
Country	Italy
SKU	VI A/ARMONIA/25/BLACK-COPPER/CRYSTAL
Glass Finish	Crystal
Frame Finish	Black Matte Nickel / Matte Copper

Product Dimensions



Materials	Blown glass, metal frame	Source	1 x G9 60W (Max)	Dimming	Dependent on globe
------------------	--------------------------	---------------	------------------	----------------	--------------------