

CT S/FIJI/XXL/BLACK/AMBER

Fiji Pendant

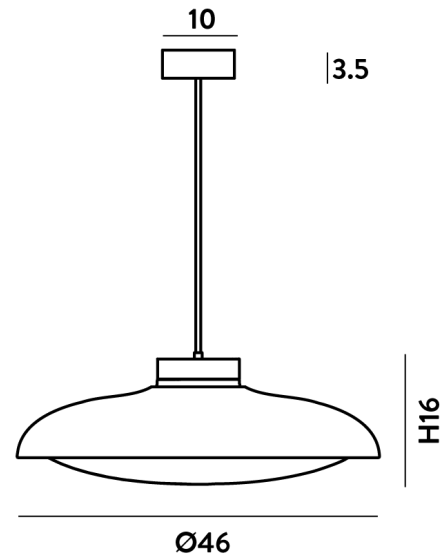
by Mandalaki

The concept behind the Fiji Pendant was to give light a form. A smooth elliptical glass shade cradles a frosted glass sphere, evoking a sense of depth while gently emitting light outward. The high power LED, optical system, wiring and fastenings are all housed within the CNC aluminium heatsink - an innovation by Mandalaki Studio which maximises aesthetic by compressing all mechanical and electrical functions within a single sophisticated component. Available in three sizes in a variety of finish combinations. Made in Italy by masters of glass Cangini & Tucci.



Designer	Mandalaki
Supplier	Cangini & Tucci
Country	Italy
SKU	CT S/FIJI/XXL/BLACK/AMBER
Glass Finish	Amber
Metal Finish	Black
Size	XXL

Product Dimensions



Weight	3.82kg	Materials	Blown Glass	Source	12.8W LED
Output	1615lm	CRI	95	IP Rating	IP20
Dimming	PHASE				