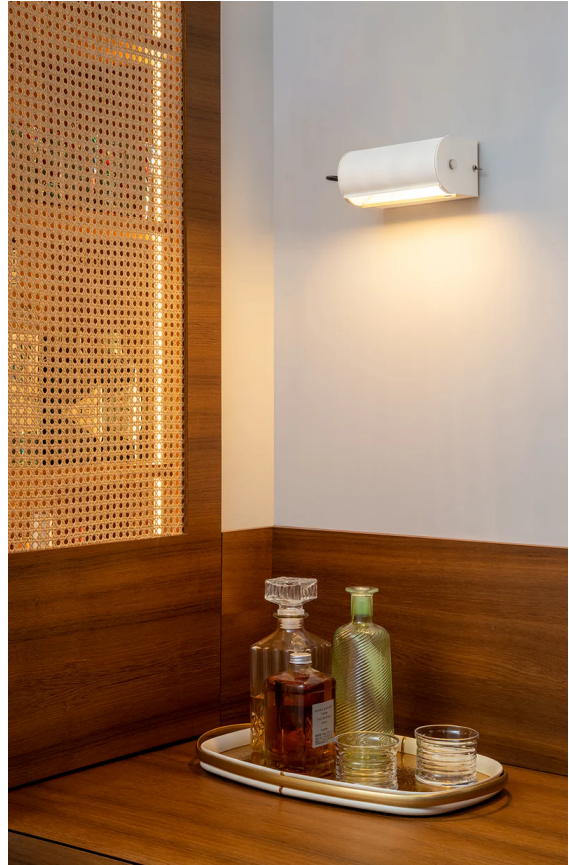


NE A/APP/CYLINDRIQUE/PETITE/WHITE

Applique Cylindrique Petite

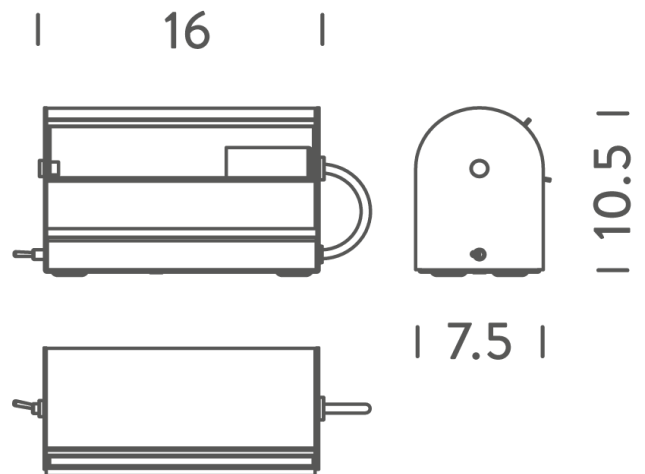
by Charlotte Perriand

Originally designed by French modernist Charlotte Perriand, Applique Cylindrique is an elegant retro wall lamp with a cylindrical lampshade. Inspired by Perriand's interest in pivoting screens and human gestures, the lamp features an adjustable shade, allowing the light beam to be controlled and directed at a simple touch. Available in two sizes - longue or petite - in 3 Colours.



Designer	Charlotte Perriand
Supplier	Nemo
Country	Italy
SKU	NE A/APP/CYLINDRIQUE/PETITE/WHITE
Finish	White

Product Dimensions



Weight	0.8kg	Materials	Aluminium	Source	1 x E14 40W (Max)
Emission	indirect orientable	IP Rating	IP20	Dimming	Dependent on globe