

NE A/APP/CYLINDRIQUE/PETITE/ANTHRACITE

## Applique Cylindrique Petite

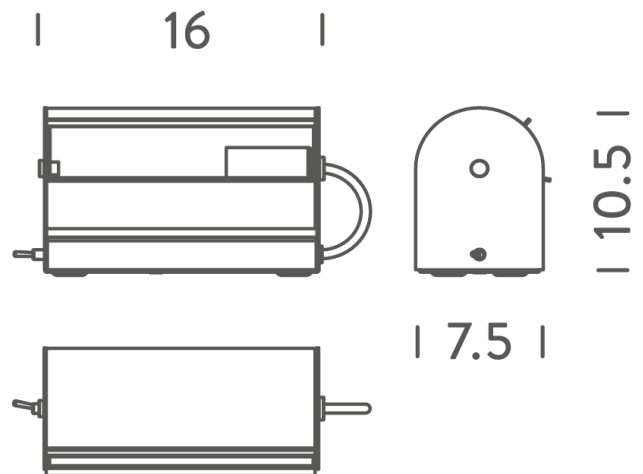
by Charlotte Perriand

Originally designed by French modernist Charlotte Perriand, Applique Cylindrique is an elegant retro wall lamp with a cylindrical lampshade. Inspired by Perriand's interest in pivoting screens and human gestures, the lamp features an adjustable shade, allowing the light beam to be controlled and directed at a simple touch. Available in two sizes - longue or petite - in 3 Colours.



<b>Designer</b>	Charlotte Perriand
<b>Supplier</b>	Nemo
<b>Country</b>	Italy
<b>SKU</b>	NE A/APP/CYLINDRIQUE/PETITE/ANTHRACITE
<b>Finish</b>	Anthracite

### Product Dimensions



<b>Weight</b>	0.8kg	<b>Materials</b>	Aluminium	<b>Source</b>	1 x E14 40W (Max)
<b>Emission</b>	indirect orientable	<b>IP Rating</b>	IP20	<b>Dimming</b>	Dependent on globe