

MAS S/CORDEA/G/EXT/WINDY BLUE/MERLOT

Cordea Exterior Pendant

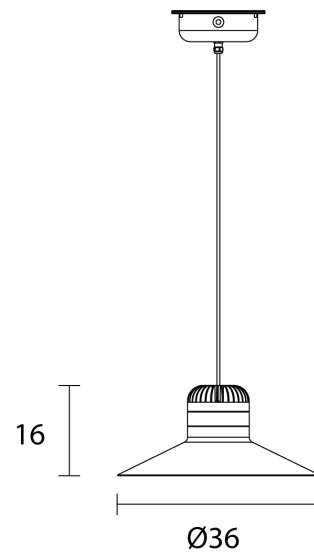
by Favaretto&Partners

The Cordea exterior pendant light reinterprets the shape of vintage industrial lamps shape in an experimental, contemporary vision. Featuring a high-contrast rubber strap encircling the diffuser cap, Cordea is available in a variety of classic neutral colours, to create a warm and comfortable atmosphere in any exterior space. Designed for use outdoors with an ingress protection rating of IP54. Available in two sizes.



Designer	Favaretto&Partners
Supplier	Masiero
Country	Italy
SKU	MAS S/CORDEA/G/EXT/WINDY BLUE/MERLOT
Size	Large
Metal Finish	Windy Blue
Rubber Finish	Merlot

Product Dimensions



Materials	Painted metal structure decorated with a rubber strap	Source	10W LED	Colour Temp	3000K
Output	1510lm	CRI	>90	IP Rating	IP54
Dimming	Non-dimmable	Notes	150cm cable drop		