

MAS A/VISIO/SX

# Visio Wall Light

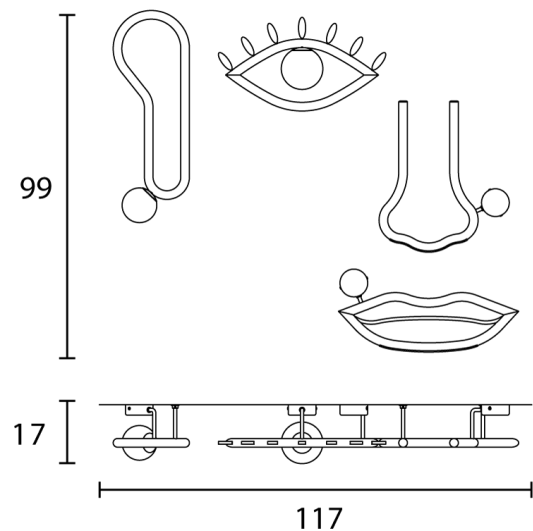
by Nava + Arosio Studio

Combining the architectural and the glamorous, Visio has been designed as an homage to the iconographic apparatus and expressiveness of the face. With layers of meaning to be discovered from a range of different configurations, Visio can be used to generate a face in its entirety, or through compositions of mouths, noses, ears and eyes. Each component consists of a painted metal structure in polished dark chocolate tones, with an opal white Murano triplex glass diffuser and LED source.



<b>Designer</b>	Nava + Arosio Studio
<b>Supplier</b>	Masiero
<b>Country</b>	Italy
<b>SKU</b>	MAS A/VISIO/SX
<b>Version</b>	Half Left

Product Dimensions



<b>Materials</b>	Painted metal structure. Opal white murano triplex glass diffuser.	<b>Source</b>	21.6W LED	<b>Colour Temp</b>	3000K
<b>Output</b>	2383lm	<b>CRI</b>	>90	<b>Emission</b>	Diffused
<b>IP Rating</b>	IP20	<b>Dimming</b>	Non-dimmable		