

MAS S/VISIO/FULL

Visio Full Pendant

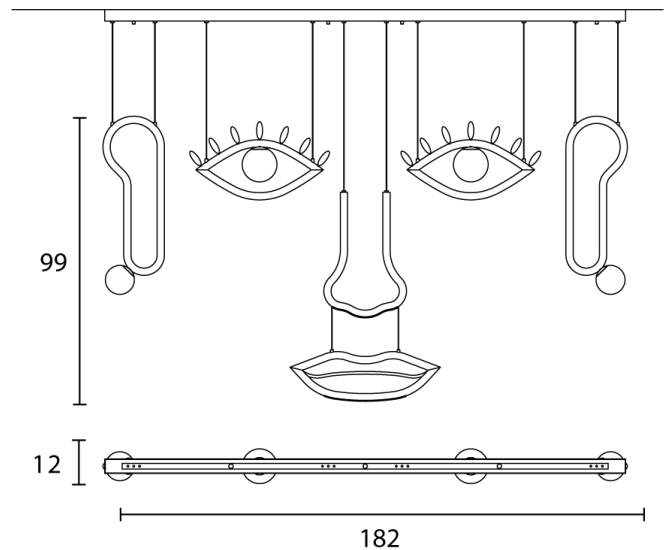
by Nava + Arosio Studio

Combining the architectural and the glamorous, Visio has been designed as an homage to the iconographic apparatus and expressiveness of the face. With layers of meaning to be discovered from a range of different configurations, Visio can be used to generate a face in its entirety, or through compositions of mouths, noses, ears and eyes. Each component consists of a painted metal structure in polished dark chocolate tones, with an opal white Murano triplex glass diffuser and LED source. Visio full utilises a single canopy for optimised installation.



Designer	Nava + Arosio Studio
Supplier	Masiero
Country	Italy
SKU	MAS S/VISIO/FULL
Finish	Chocolate

Product Dimensions



Materials	Painted metal structure. Opal white murano triplex glass diffuser.	Source	32.6W LED	Colour Temp	3000K
Output	3673lm	CRI	>90	Emission	Diffused
IP Rating	IP20	Dimming	1-10V + PUSH	Notes	150cm cable drop