

VI S/ANISETTE/E27/WHITE

Anisette Pendant

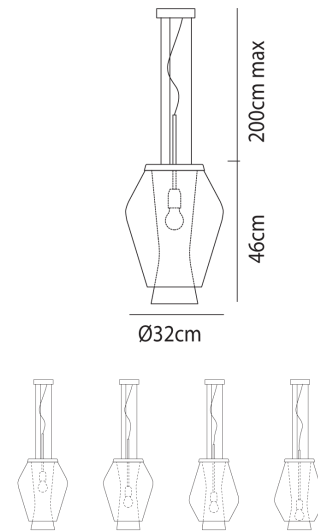
by Francesco Lucchese

Introducing Anisette by Vistosi, a modern geometric collection resembling lantern shapes. Anisette employs a unique connection method concealing the frame and enabling no-drill glass fixing. Two shaded white crystal diffusers offer four assembly options, crafting diverse overlaps and silhouettes via internal light manipulation and glass transparency. Made in Italy.



Designer	Francesco Lucchese
Supplier	Vistosi
Country	Italy
SKU	VI S/ANISETTE/E27/WHITE
Finish	White

Product Dimensions



Glass diffusers can be arranged in four different positions, lighting source can be adjusted.

Weight	6kg	Materials	Blown Glass	Source	1 x E27 70W (Max)
Dimming	Dependent on globe	Notes	Glass diffusers can be arranged in four different positions, light source can be adjusted.		