

IC A/MASAI/50/2700K/SILVER/IRON

## Masai Ceiling / Wall Light

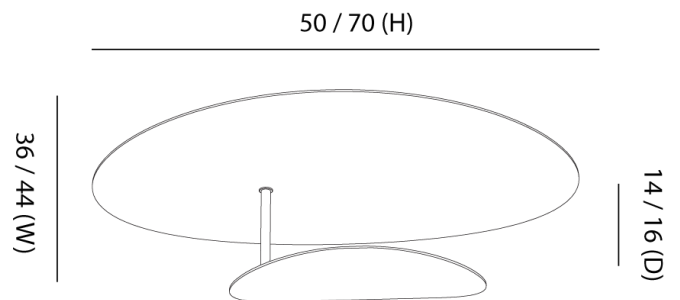
by Marco Pagnoncelli

The peculiarity of MASAI is its curved shield on which the light is projected from an oval source. This collection of indirect wall, ceiling and pendant lamps consists of slimline die-cast aluminum profiles with inbuilt LEDs. The simple geometry and essential shape of MASAI creates a clean and sophisticated aesthetic, while its soft indirect lighting produces a comfortable atmosphere. The Masai sconce is surface mounted and suitable for ceiling or wall installation. Available in two sizes in a variety of finish options. Made in Italy.



<b>Designer</b>	Marco Pagnoncelli
<b>Supplier</b>	Icone
<b>Country</b>	Italy
<b>SKU</b>	IC A/MASAI/50/2700K/SILVER/IRON
<b>Finish</b>	Silver + Iron
<b>Size</b>	50
<b>Version</b>	2700K

### Product Dimensions



<b>Materials</b>	Aluminium	<b>Source</b>	15W LED	<b>Colour Temp</b>	2700K
<b>Output</b>	1350lm	<b>CRI</b>	>90	<b>Emission</b>	Indirect
<b>Dimming</b>	TRIAC	<b>Notes</b>	Overall Dimensions: 50cm x 36cm x 14cm		