

MAS S/NAPPE/C5/RD/80/MIXED

Nappe Chandelier

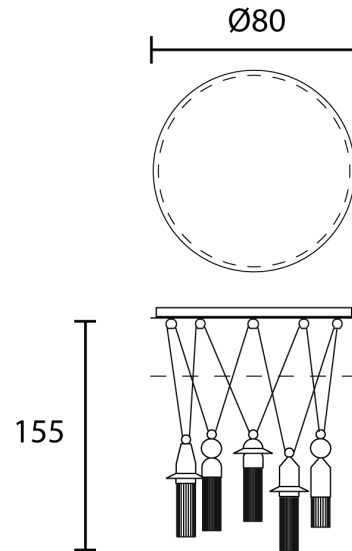
by Marco Zito

Made in Italy, the Nappe pendant collection is inspired by the 'nappine' (tassels) typically used to close curtains and decorate Venetian salons. Each Nappe is comprised of a painted metal frame with metal or Pyrex rods and Pyrex diffusers with an inbuilt LED source. The Nappe chandelier is ideal for feature lighting applications in dining and living areas. Available in several configurations.



Designer	Marco Zito
Supplier	Masiero
Country	Italy
SKU	MAS S/NAPPE/C5/RD/80/MIXED
Version	RD80
Finish	Mixed Colours

Product Dimensions



Weight	23kg	Materials	Metal, Pyrex	Source	5 x 5.4W LED
Colour Temp	3000K	Output	5 x 688lm	CRI	>90
Dimming	1-10V + PUSH				