

MAS S/NAPPE/C5/RD/80/MATT WHITE

## Nappe Chandelier

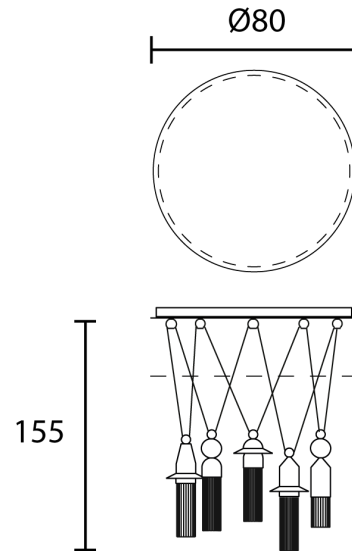
by Marco Zito

Made in Italy, the Nappe pendant collection is inspired by the 'nappine' (tassels) typically used to close curtains and decorate Venetian salons. Each Nappe is comprised of a painted metal frame with metal or Pyrex rods and Pyrex diffusers with an inbuilt LED source. The Nappe chandelier is ideal for feature lighting applications in dining and living areas. Available in several configurations.



<b>Designer</b>	Marco Zito
<b>Supplier</b>	Masiero
<b>Country</b>	Italy
<b>SKU</b>	MAS S/NAPPE/C5/RD/80/MATT WHITE
<b>Version</b>	RD80
<b>Finish</b>	Matt White

### Product Dimensions



<b>Weight</b>	23kg	<b>Materials</b>	Metal, Pyrex	<b>Source</b>	5 x 5.4W LED
<b>Colour Temp</b>	3000K	<b>Output</b>	5 x 688lm	<b>CRI</b>	>90
<b>Dimming</b>	1-10V + PUSH				