

MAS S/EVA/S3+1/DARK GREY

Eva Pendant

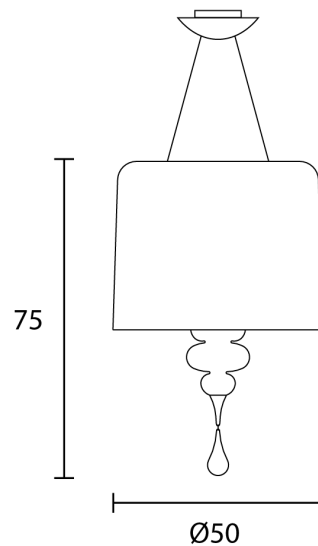
by Masiero Lab

The Eva collection magnificently embodies a modern interpretation of classic chandeliers. Like a blossoming flower, Eva enchants with fluid sinuosity and conveys a sense of calm. The pendant features a resin and polyurethane frame with an aluminium shade, accentuating its modern aesthetic. Available in a variety of finish options.



Designer	Masiero Lab
Supplier	Masiero
Country	Italy
SKU	MAS S/EVA/S3+1/DARK GREY
Finish	Dark Grey

Product Dimensions



Weight	13kg	Materials	Resin and polyurethane frame with aluminium shade	Source	3 x E27 20W Max
Dimming	Dependant on globe	Notes	150cm max cable drop		