

MAS A/NAPPE/N2/MATT BLACK

Nappe Wall Light

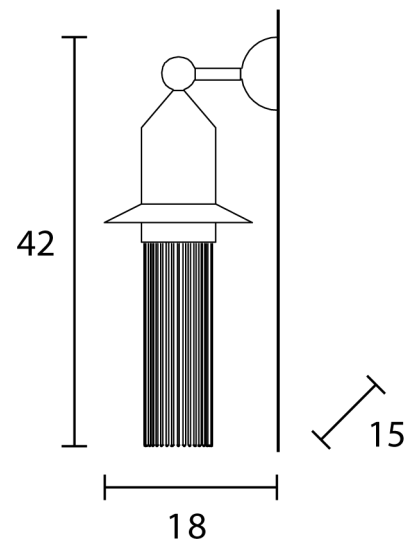
by Marco Zito

Made in Italy, the Nappe wall light collection is inspired by the 'nappine' (tassels) typically used to close curtains and decorate Venetian salons. Each Nappe is comprised of a painted metal frame with metal or Pyrex rods and Pyrex diffusors with an inbuilt LED source. Available in several shapes and finish options.



Designer	Marco Zito
Supplier	Masiero
Country	Italy
SKU	MAS A/NAPPE/N2/MATT BLACK
Version	N2
Finish	Matt Black

Product Dimensions



Weight	2.5kg
Colour Temp	3000K
Dimming	Non-dimmable

Materials	Metal, Pyrex
Output	688lm

Source	5.4W LED
CRI	>90