

MAS A/EVA/A2/GOLD LEAF

Eva Double Wall Light

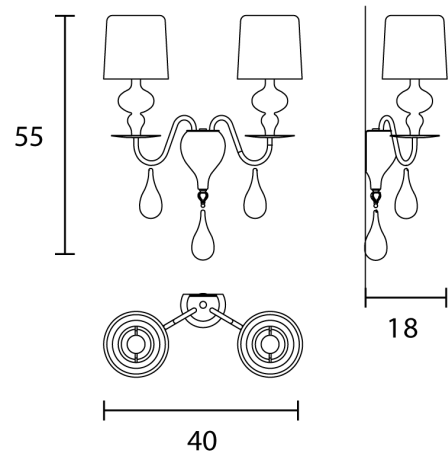
by Masiero Lab

The Eva collection magnificently embodies a modern interpretation of classic chandeliers. Like a blossoming flower, Eva enchants with fluid sinuosity and conveys a sense of calm. The double wall lamp features a resin and polyurethane frame with aluminium shades, accentuating its modern aesthetic. Available in a variety of finish options.



Designer	Masiero Lab
Supplier	Masiero
Country	Italy
SKU	MAS A/EVA/A2/GOLD LEAF
Finish	Gold Leaf

Product Dimensions



Weight	3.5kg
Dimming	Dependant on globe

Materials Resin and polyurethane frame with aluminium shade

Source 2 x E14 10W Max