

MAS A/EVA/A2/OXIDE RED

## Eva Double Wall Light

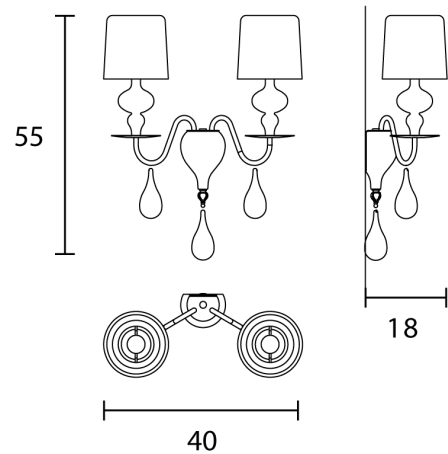
by Masiero Lab

The Eva collection magnificently embodies a modern interpretation of classic chandeliers. Like a blossoming flower, Eva enchants with fluid sinuosity and conveys a sense of calm. The double wall lamp features a resin and polyurethane frame with aluminium shades, accentuating its modern aesthetic. Available in a variety of finish options.



<b>Designer</b>	Masiero Lab
<b>Supplier</b>	Masiero
<b>Country</b>	Italy
<b>SKU</b>	MAS A/EVA/A2/OXIDE RED
<b>Finish</b>	Oxide Red

### Product Dimensions



<b>Weight</b>	3.5kg	<b>Materials</b>	Resin and polyurethane frame with aluminium shade	<b>Source</b>	2 x E14 10W Max
<b>Dimming</b>	Dependant on globe				