

NE A/APP/CYLINDRIQUE/PETITE/ANTHRACITE

Applique Cylindrique Petite

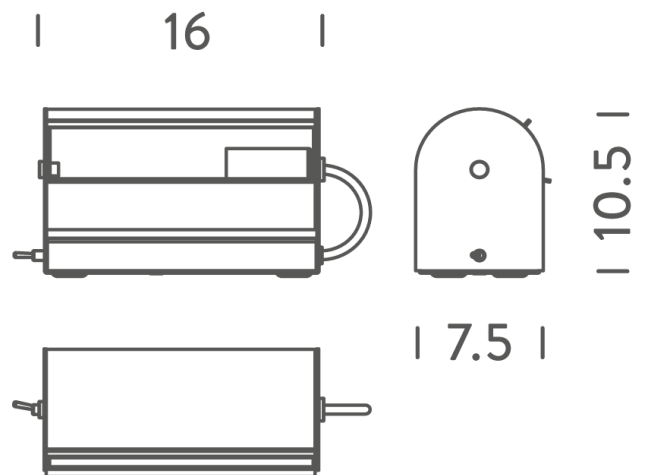
by Charlotte Perriand

Originally designed by French modernist Charlotte Perriand, Applique Cylindrique is an elegant retro wall lamp with a cylindrical lampshade. Inspired by Perriand's interest in pivoting screens and human gestures, the lamp features an adjustable shade, allowing the light beam to be controlled and directed at a simple touch. Available in two sizes - longue or petite - in 3 Colours.



| | |
|-----------------|--|
| Designer | Charlotte Perriand |
| Supplier | Nemo |
| Country | Italy |
| SKU | NE A/APP/CYLINDRIQUE/PETITE/ANTHRACITE |
| Finish | Anthracite |

Product Dimensions



| | | | | | |
|-----------------|---------------------|------------------|-----------|----------------|--------------------|
| Weight | 0.8kg | Materials | Aluminium | Source | 1 x E14 40W (Max) |
| Emission | indirect orientable | IP Rating | IP20 | Dimming | Dependent on globe |