

MAS S/HORO/S1/BRASS/LIGHT BLUE

Horo Pendant

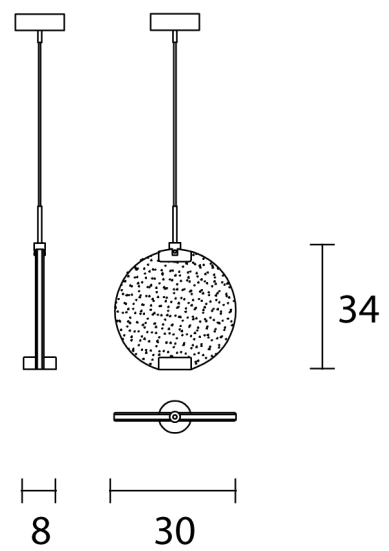
by Pierre Gonalons

Horo is inspired by ancient depictions of the sun, including the sun god Ra, which gives the collection an enduring and ethereal quality. Available with clear or coloured prismatic glass and featuring brushed brass metal details. Designed by Pierre Gonalons and made in Italy.



Designer	Pierre Gonalons
Supplier	Masiero
Country	Italy
SKU	MAS S/HORO/S1/BRASS/LIGHT BLUE
Glass Finish	Light Blue

Product Dimensions



Weight	3.5kg
Colour Temp	3000K
Dimming	Non-dimmable

Materials	Metal frame with glass prism diffuser
Output	1854lm
Notes	120cm cable drop

Source	14.4W LED
CRI	>95