

MAS A/IGLU/A1/BRONZE/GOLD MESH

Iglu Wall Light

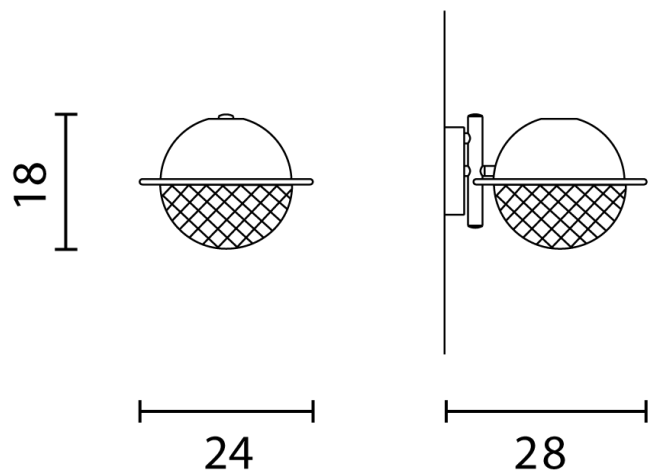
by Oriano Favaretto

Iglu is an intuition born from observing the perfection of the sphere. A mesh grate seamlessly completes the metal sphere and shields the light source, creating a pattern of light and shadow. Metal structure painted with brushed patina. Designed by Oriano Favaretto and made in Italy.



Designer	Oriano Favaretto
Supplier	Masiero
Country	Italy
SKU	MAS A/IGLU/A1/BRONZE/GOLD MESH
Size	A1

Product Dimensions



Weight	2kg	Materials	Brushed bronze patina with gold metal mesh diffuser	Source	3.7W UP + 11.4W DOWN LED
Colour Temp	3000K	Output	1450lm	CRI	>90
Dimming	TRIAC				