

NE S/MACONDO/LG

Macondo Pendant

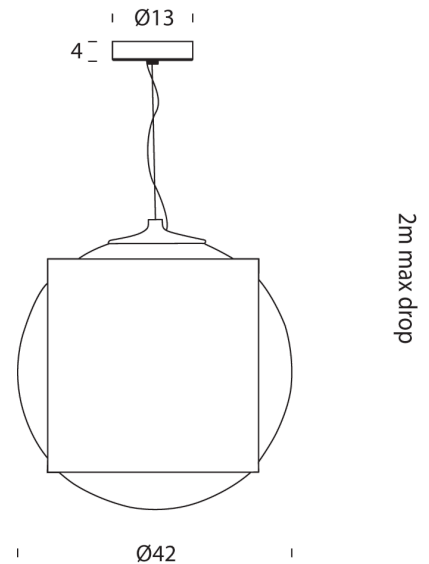
by Gregorio Spini

Macondo Pendant consists of a mouth blown triplex glossy opal glass diffusers. Designed by Gregorio Spini. Made in Italy.



Designer	Gregorio Spini
Supplier	Nemo
Country	Italy
SKU	NE S/MACONDO/LG
Size	Large

Product Dimensions



Materials	Blown glass	Source	1 x E27 100W (Max)	Dimming	Dependent on globe
Notes	Diffused emission				