

SI PL/BARRO/2/BK

## Barro Double Spotlight

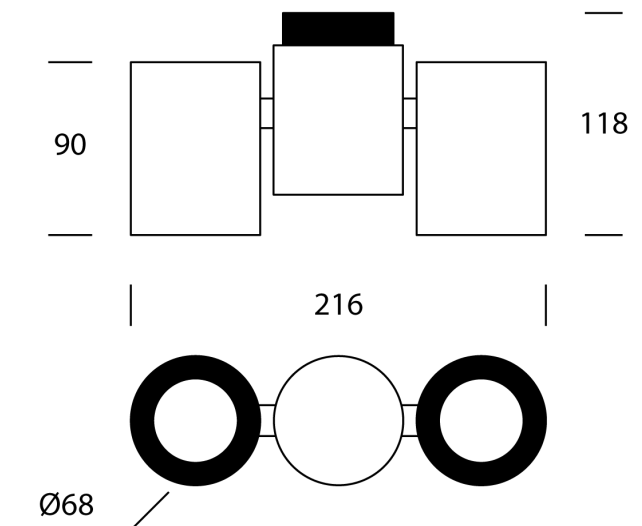
by

The French designed BARRO collection utilizes simple cylindrical shapes, creating a clean contemporary look. The BARRO Double spot is adjustable and provides direct light. Usable with LED or Halogen globes and available in black finish.



<b>Supplier</b>	Studio Italia
<b>Country</b>	China
<b>SKU</b>	SI PL/BARRO/2/BK
<b>Finish</b>	Black

Product Dimensions



<b>Materials</b>	Aluminium	<b>Source</b>	2 x GU10 35W (Max)	<b>Dimming</b>	Dependent on globe
------------------	-----------	---------------	--------------------	----------------	--------------------