

NE A/LAROCHE/2700K/BLACK

La Roche Wall Light

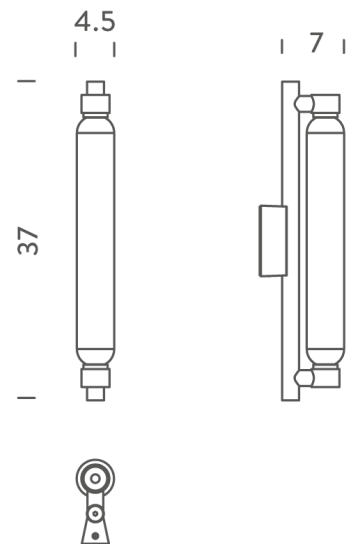
by Le Corbusier

Born from an existing system to illuminate large windows, La Roche was the first wall lamp conceived by Le Corbusier for his purist architectures: Villa La Roche and Pavillon de l'Esprit Nouveau. The iconic design has been updated with a LED lighting source with glass diffuser shaped on the original incandescent bulb. Produced by Nemo to celebrate a classic of lightness and function. Available in an IP45 for bathroom use in black or grey finish.



Designer	Le Corbusier
Supplier	Nemo
Country	Italy
SKU	NE A/LAROCHE/2700K/BLACK
Finish	Black
Version	IP20

Product Dimensions



Materials	Aluminium	Source	8.5W LED	Colour Temp	2700K
Output	925lm	CRI	85	Emission	diffused
IP Rating	IP20	Dimming	Non-Dimmable		