

NE A/LAMPE DE BUREAU/YELLOW

Lampe De Bureau Applique

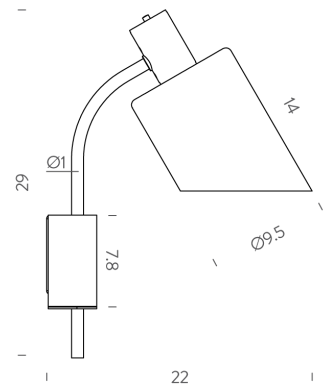
by Charlotte Perriand

Starting from the necessity of illuminating the faces reflected in the mirror of a cabinet designed for the famous French glassworks Boussois, in 1965 Charlotte Perriand designed the wall-mounted version of the Lampe de Bureau. The body features grey tones, while the translucent pressed glass diffuser is available in the finishes green, red, blue mare, blue grey, yellow and matte white outside. On the inside the white finish preserves the natural colour of the light. For flexible positioning of the light, a 120-degree rotation of the body is provided.



Designer	Charlotte Perriand
Supplier	Nemo
Country	Italy
SKU	NE A/LAMPE DE BUREAU/YELLOW
Finish	Yellow

Product Dimensions



Materials	Steel + Glass	Source	1 x E14 20W (Max)	Emission	diffused
Dimming	Dependent on globe	Notes	1m cable plug (can be hardwired)		