

MAS S/POSY/S1/25/BRASS/WHITE

Posy Pendant

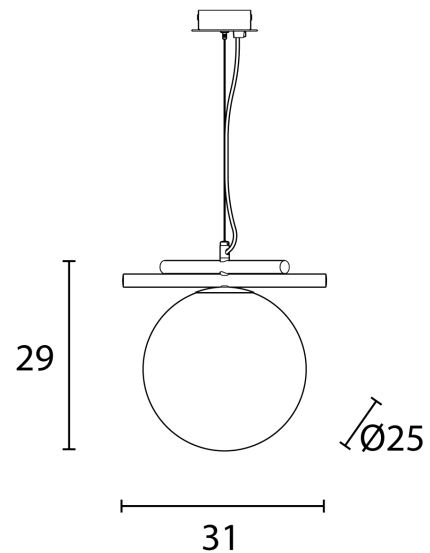
by Sara Moroni

Balance and simplicity were the guiding principals of the Posy collection. Composed of a galvanised metal structure with a triplex opal white Murano glass diffuser. The sphere and stem interact with each other to achieve a natural balance, making Posy pendant light ideal for contemporary installations. Available in brushed brass structure with opal white glass finish. Made in Italy by Masiero.



Designer	Sara Moroni
Supplier	Masiero
Country	Italy
SKU	MAS S/POSY/S1/25/BRASS/WHITE
Size	25cm

Product Dimensions



Weight	2kg	Materials	Galvanised metal structure, triplex Murano glass diffuser	Source	1 x E27 20W (Max)
Dimming	Dependent on globe	Notes	Max bulb size: 37mm (dia) x 185mm (L), Max cable drop: 150cm		