

NE LT/LAMPE DE BUREAU/WHITE

Lampe De Bureau

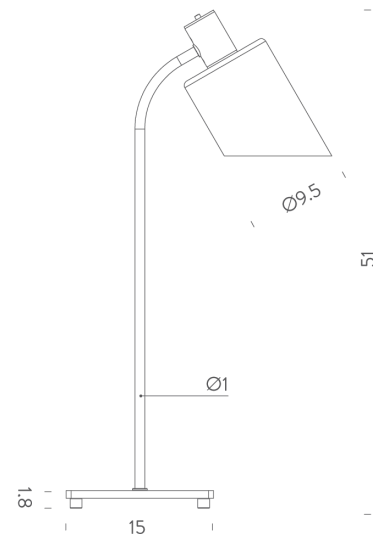
by Charlotte Perriand

Born from the vision of architect and designer Charlotte Perriand, the table lamp version of Nemo's classic Lampe de Bureau is immediately identifiable, with its translucent pressed glass shade and grey steel stem anchored to a raised base. Offering a delicately diffused illumination, perfect for home environments and workplaces, the Lampe de Bureau is a true icon of mid-century design.



Designer	Charlotte Perriand
Supplier	Nemo
Country	Italy
SKU	NE LT/LAMPE DE BUREAU/WHITE
Finish	White

Product Dimensions



Materials	Steel + Glass	Source	1 x E14 20W (Max)	Emission	Diffused
Notes	1.5m cable with ON/OFF switch				