

MAS S/OLA/S12/120/BURNISHED/CUT CRYSTAL

Ola Feature Chandelier

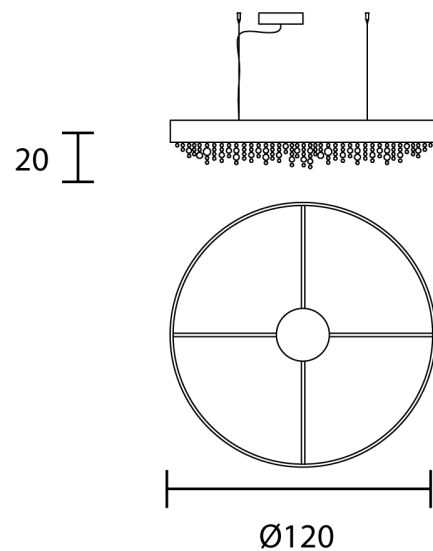
by Masiero Lab

Ola Chandelier is a unique transitional piece characterised by its intricate form. Designed by Masiero's creative atelier, the contrast between its simple metal frame and luxurious cascade of crystal pendants makes Ola a Masiero icon. Available in a variety of finish combinations and sizes. Made in Italy.



Designer	Masiero Lab
Supplier	Masiero
Country	Italy
SKU	MAS S/OLA/S12/120/BURNISHED/CUT CRYSTAL
Finish	Burnished + Cut Crystal
Version	Lamp-Holder

Product Dimensions



Weight	50kg
Dimming	Dependant on globe

Materials	Painted metal frame with pendants
Notes	150cm max cable drop

Source	12 x E27 20W Max
---------------	------------------