

MAS PL/OLA/PL12/120/LED/MATT BRONZE/CUT  
 CRYSTAL

## Ola Feature Ceiling Light

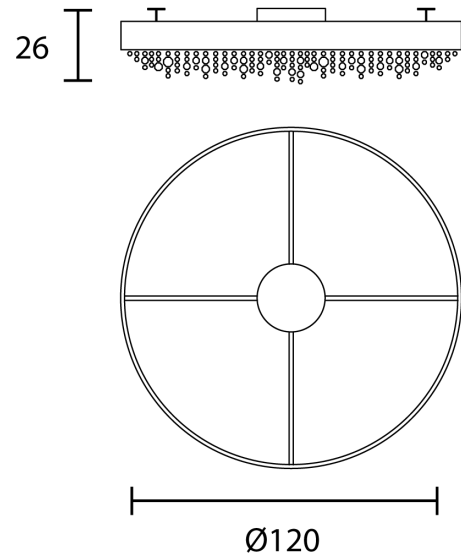
by Masiero Lab

Ola feature ceiling light is a unique transitional piece characterised by its intricate form. Designed by Masiero's creative atelier, the contrast between its simple metal frame and a luxurious cascade of crystal pendants makes Ola a Masiero icon. Available in a variety of finish combinations in LED or lamp-holder version. Made in Italy.



<b>Designer</b>	Masiero Lab
<b>Supplier</b>	Masiero
<b>Country</b>	Italy
<b>SKU</b>	MAS PL/OLA/PL12/120/LED/MATT BRONZE/CUT CRYSTAL
<b>Finish</b>	Matt Bronze + Cut Crystal
<b>Version</b>	Inbuilt LED

Product Dimensions



<b>Weight</b>	50kg
<b>Colour Temp</b>	3000K
<b>Dimming</b>	1-10v

<b>Materials</b>	Painted metal frame with pendants
<b>Output</b>	7425lm

<b>Source</b>	62.4W LED
<b>CRI</b>	>95