

MAS PL/OLA/PL12/120/MATT BRONZE/WARM

Ola Feature Ceiling Light

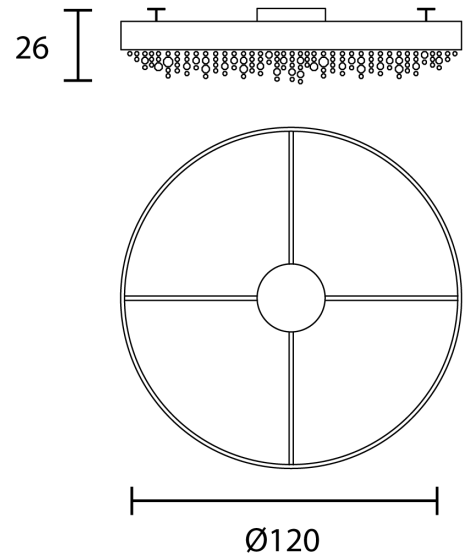
by Masiero Lab

Ola feature ceiling light is a unique transitional piece characterised by its intricate form. Designed by Masiero's creative atelier, the contrast between its simple metal frame and a luxurious cascade of crystal pendants makes Ola a Masiero icon. Available in a variety of finish combinations in LED or lamp-holder version. Made in Italy.



Designer	Masiero Lab
Supplier	Masiero
Country	Italy
SKU	MAS PL/OLA/PL12/120/MATT BRONZE/WARM
Finish	Matt Bronze + Warm
Version	Lamp-Holder

Product Dimensions



Weight	50kg
Dimming	Dependant on globe

Materials	Painted metal frame with pendants
------------------	-----------------------------------

Source	12 x E27 20W Max
---------------	------------------