

MAS PL/OLA/PL12/120/LED/COPPER LEAF/COPPER

Ola Feature Ceiling Light

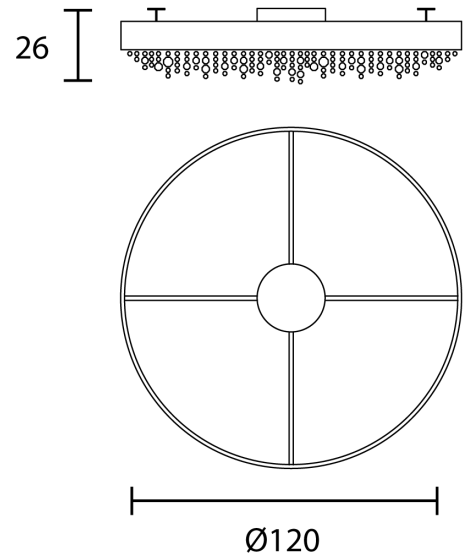
by Masiero Lab

Ola feature ceiling light is a unique transitional piece characterised by its intricate form. Designed by Masiero's creative atelier, the contrast between its simple metal frame and a luxurious cascade of crystal pendants makes Ola a Masiero icon. Available in a variety of finish combinations in LED or lamp-holder version. Made in Italy.



Designer	Masiero Lab
Supplier	Masiero
Country	Italy
SKU	MAS PL/OLA/PL12/120/LED/COPPER LEAF/COPPER
Finish	Copper Leaf + Copper
Version	Inbuilt LED

Product Dimensions



Weight	50kg
Colour Temp	3000K
Dimming	1-10v

Materials	Painted metal frame with pendants
Output	7425lm

Source	62.4W LED
CRI	>95