

MAS S/EVA/S3+1/CONCRETE

## Eva Pendant

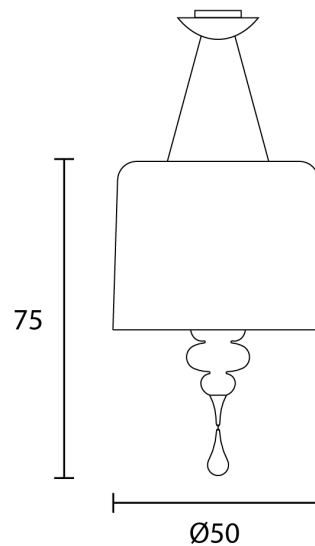
by Masiero Lab

The Eva collection magnificently embodies a modern interpretation of classic chandeliers. Like a blossoming flower, Eva enchants with fluid sinuosity and conveys a sense of calm. The pendant features a resin and polyurethane frame with an aluminium shade, accentuating its modern aesthetic. Available in a variety of finish options.



<b>Designer</b>	Masiero Lab
<b>Supplier</b>	Masiero
<b>Country</b>	Italy
<b>SKU</b>	MAS S/EVA/S3+1/CONCRETE
<b>Finish</b>	Concrete

### Product Dimensions



<b>Weight</b>	13kg
<b>Dimming</b>	Dependant on globe

<b>Materials</b>	Resin and polyurethane frame with aluminium shade
<b>Notes</b>	150cm max cable drop

<b>Source</b>	3 x E27 20W Max
---------------	-----------------